



CL600 – Macerator Toilet User Manual



Key Benefits

- Home-like comfort
- Low water consumption: ~0.5 litre per flush
- Can be placed away from the composting tank
- Switch operated flush

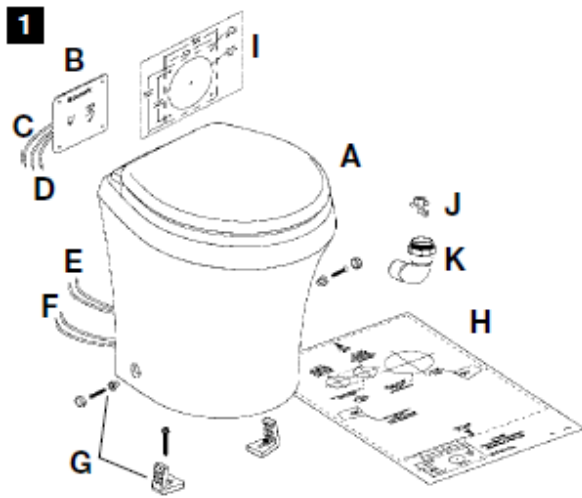
Materials

- Toilet: Vitreous china
- Macerator pump body: Glass-filled polypropylene
- Flush switch panel: Powder-coated aluminium

Specifications

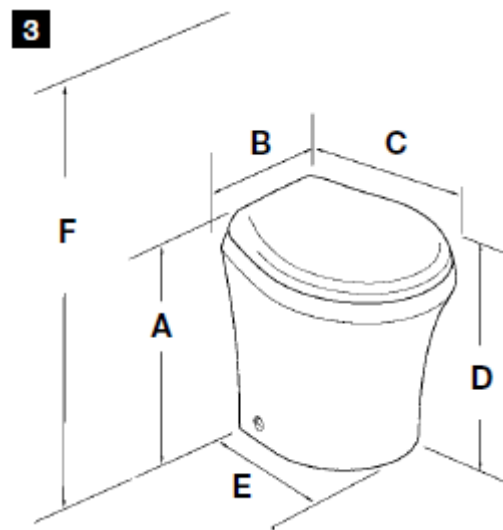
Electrical	Circuit breaker	20 amps/12 V DC
	Wiring	12 ga. (up to 20 ft/6.1 m from breaker)
Water Supply	Fitting	0.5 in. (13 mm) ID flexible water line
	Flow rate	20 gpm/7.6 lpm minimum
Discharge	Inside diameter	1.5 in/38 mm or 1 in/25 mm
	Horizontal run	98 ft/30 m max.
	Vertical run	9.8 ft/3 m max.

CL600 – Macerator Toilet User Manual

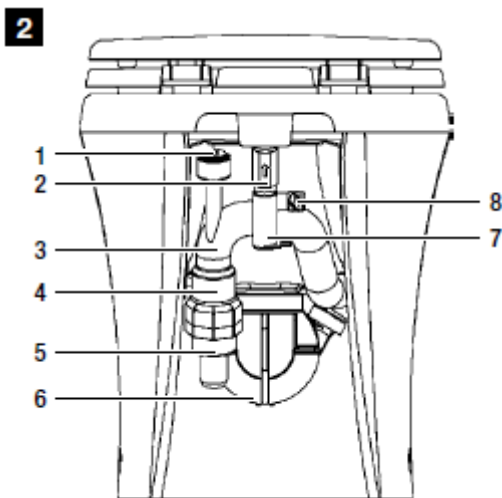


Ref.	Description
1	Anti-siphon valve
2	Check valve
3	Discharge loop outlet
4	Discharge adapter fitting
5	Discharge hose fitting
6	Macerator pump
7	Water valve
8	Water valve fitting – 0.5 in NPT

Ref.	Description
A	Macerator toilet
B	Flush switch
C	Electrical input wire
D	Output wires (2) to toilet
E	Input wires (2) from flush switch
F	Output wires (2) to ground connection
G	Floor mounting hardware kit
H	Floor mounting template
I	Flush switch wall template
J	Water valve adapter
K	Discharge elbow fitting

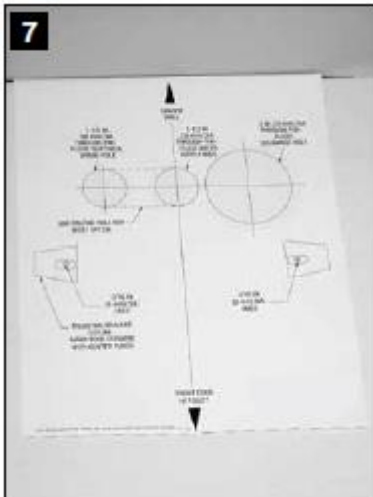


Ref.	Description
A	18 3/8 in. / 467 mm
B	14 3/4 in. / 375 mm
C	18 3/8 in. / 467 mm
D	17 in. / 432 mm – seat height
E	14 7/8 in. / 378 mm
F	32 in. / 813 mm – seat lid up



Installation – through the floor discharge

1. Place floor mounting template in desired location (fig. 7). For optimal user comfort, make sure walls or other interior fixtures are at least 11 in. (279 mm) away from centreline of template.



2. Centre punch all holes and mounting bracket corners through template.
3. Remove template from floor. Drill all access and fastener holes as indicated on template. DO NOT drill mounting bracket corners.
4. With long hex-head screws from toilet floor bracket kit, fasten brackets with 3/8 in. (10 mm) socket wrench, using corner marks as guides (fig. 8).

Note: Do not completely tighten hex-based screws to floor – allow brackets to slightly slide. Brackets will tighten when fastening toilet to brackets.



5. Plan flush switch panel location so that electrical connections and wires cannot get wet.
6. Use wall switch template to mark location of fastener and access holes for wall switch panel. Drill 2 3/4 in. (70 mm) diameter hole (fig. 9)



7. With electrical power off, route 12-gauge or larger stranded copper wire from circuit breaker or fuse to wall switch, and from wall switch to toilet. Connect wires to appropriate leads attached to back of wall switch panel with crimp-style wire connectors.
8. Fasten wall switch panel to wall (fig. 9).

9. Route wall switch panel wiring to toilet through access hole in floor. Route ground connection wire to toilet. (Provide extra wiring at toilet to easily remove toilet from mounting brackets for future maintenance service.) Make final wiring connections.
10. Route water supply and discharge plumbing to toilet according to system requirements. Provide extra water supply and discharge hose lengths to assure easy connection to toilet (fig. 13).
11. Connect water valve adapter to flexible water line with hose clamp (fig. 10).



12. Securely connect water valve adapter to water valve fitting (fig. 11).



13. Loosen band clamp on discharge loop outlet and remove discharge adapter fitting/hose fitting assembly (fig. 12)



14. Lubricate discharge fitting assembly and inside end of discharge hose with liquid dishwashing soap. Push discharge fitting assembly into discharge hose and connect with two hose clamps. Be sure to position hose clamp screws 180° apart from other (fig. 13). Place toilet near access holes.



15. Connect flush switch panel wires to toilet wires (fig. 14) according to wiring diagram. Connect ground wires from toilet as indicated.



16. Position toilet over floor brackets and tilt toilet up from back. Push discharge assembly fitting and hose up into discharge loop outlet, and tighten clamp (fig. 14).
17. Lower toilet down so that floor brackets show through fastener holes (fig. 15).



18. Turn on water supply and electrical power to toilet, and check for leaks. Press "flush" switch. If leak occurs, tighten connection.
19. Insert plastic adapters from Floor Bracket Kit into fastener holes. Fasten toilet to brackets with short screws provided in kit.
20. Cover floor bracket screws with plastic covers (fig. 16).



Installation – through the wall discharge

1. To route wiring and plumbing connections through the wall, use floor template to locate the vertical centreline of each hole.
2. Loosen band clamp on discharge loop outlet and remove straight discharge hose fitting from discharge adapter fitting.
3. Attach discharge elbow fitting to discharge adapter fitting.
4. Place toilet in proper position and mark horizontal centrelines (fig. 17).



5. Drill holes sizes as indicated on template.
6. Route wiring and plumbing through holes, then follow toilet installation instructions beginning at step 10 above.